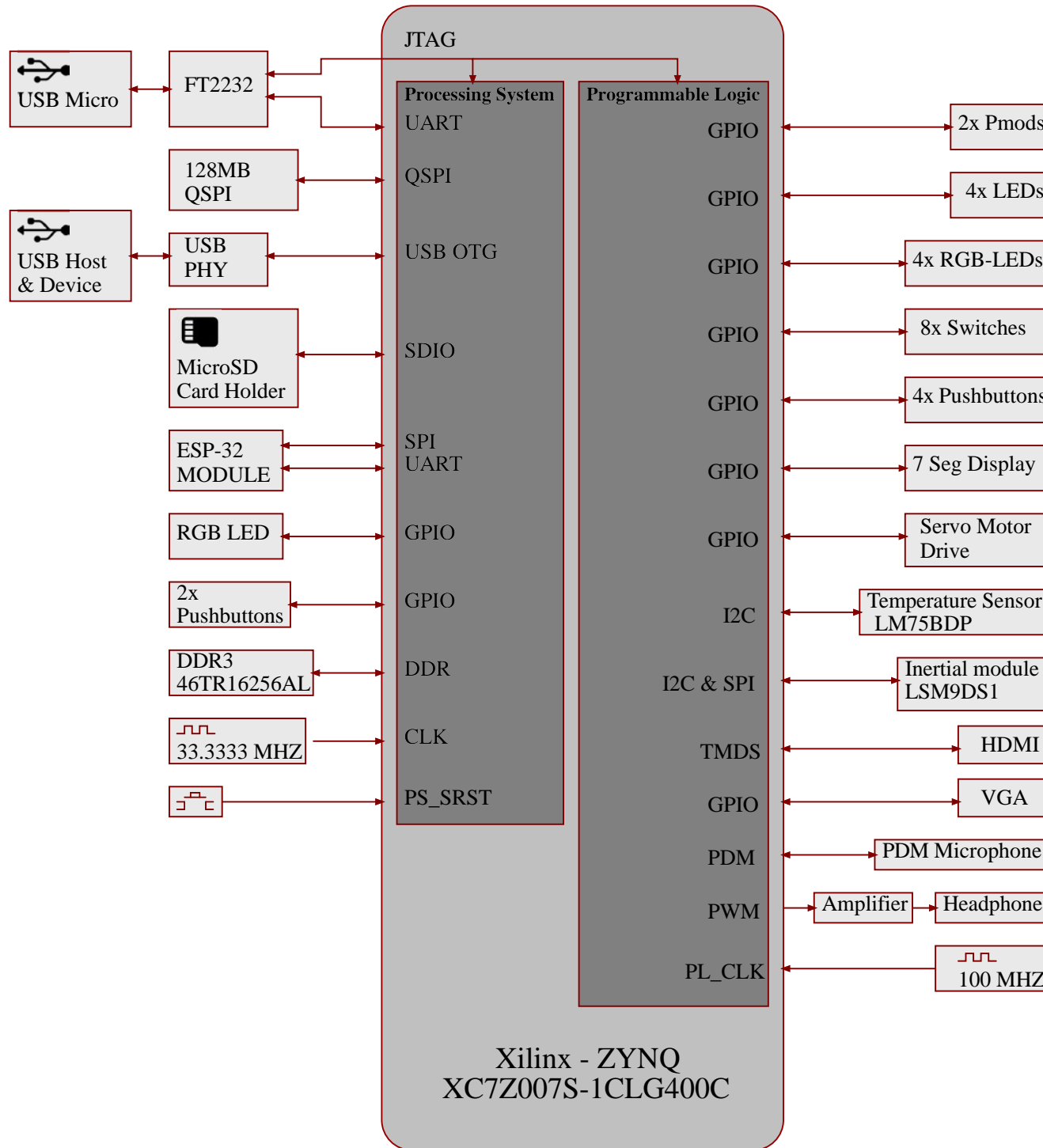


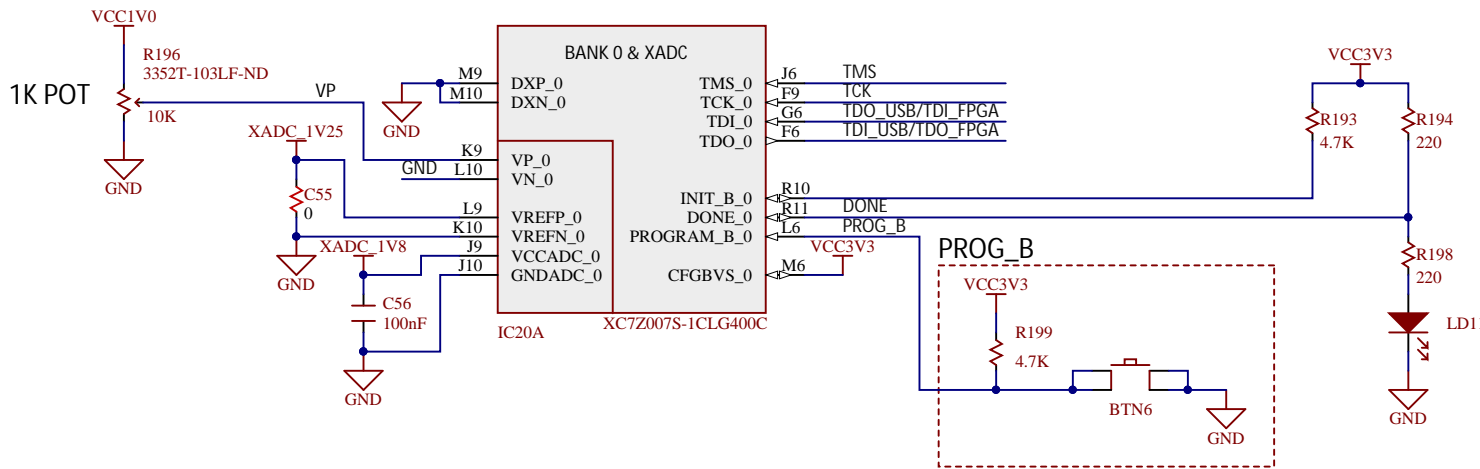
BlackBoard

1/15/2018 Rev. C

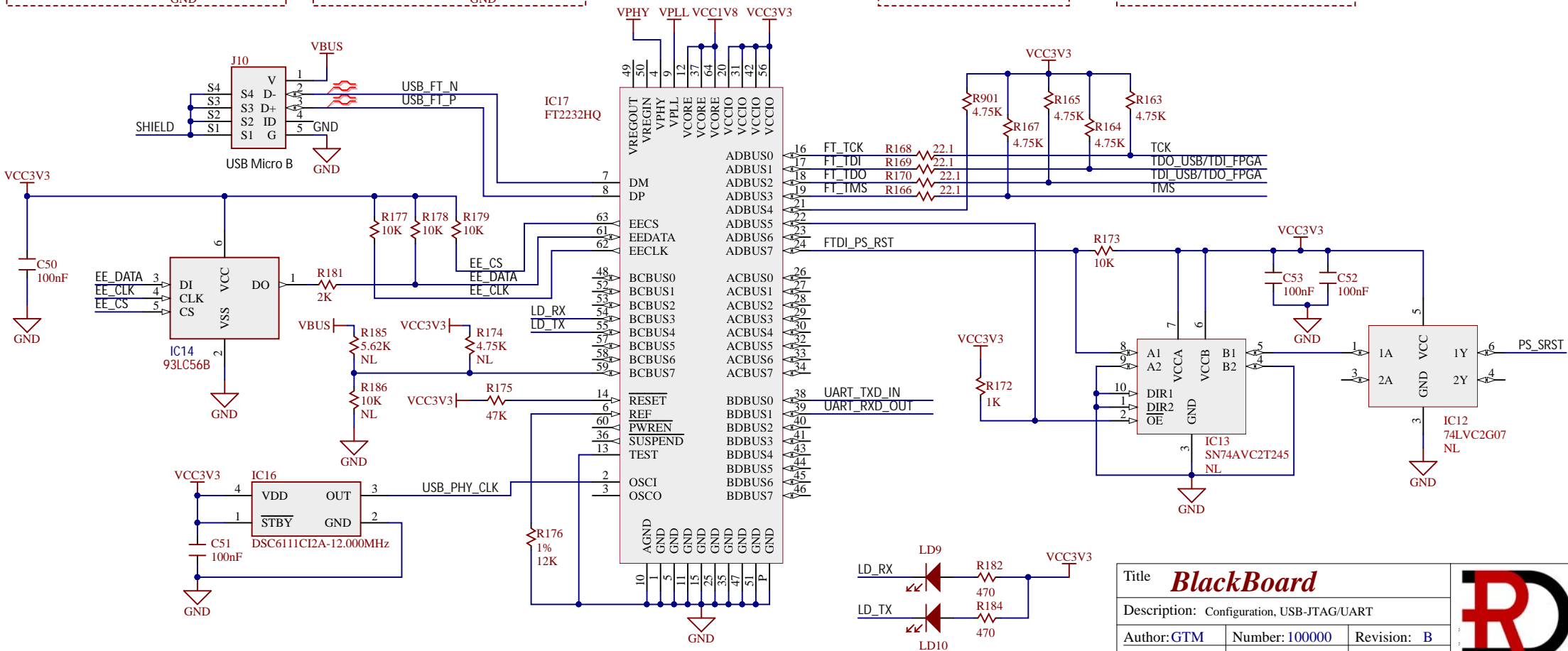
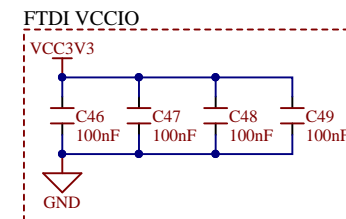
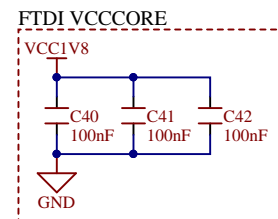
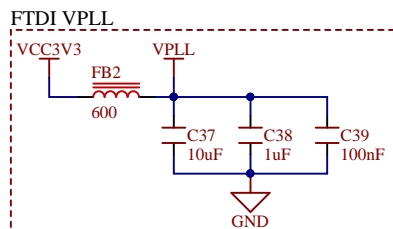
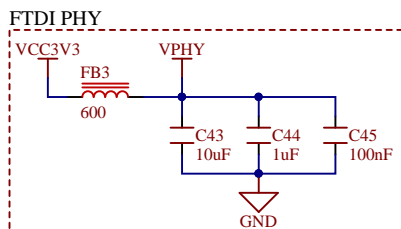


Page	Description
2.	Configuration, USB-JTAG/UART
3.	MIO500, MIO501, Boot Devices
4.	ESP-32 Module, USB PHY, PS Buttons PS RGB LED
5.	MIO502, DDR3
6.	PL Banks
7.	PL Buttons, PL Switches, PL RGB LEDs
8.	Headphone, Microphone, Temp sensor, Inertial module, VGA
9.	Pmods, 7 Segment Display, PL LEDs Servo Motor Drive
10.	HDMI Source
11.	FPGA Power
12.	Power supplies






- Standoff
- STD1
- Standoff
- STD2
- Standoff
- STD3
- Standoff
- STD4
- Chinese ROHS
- ROHS
- CE

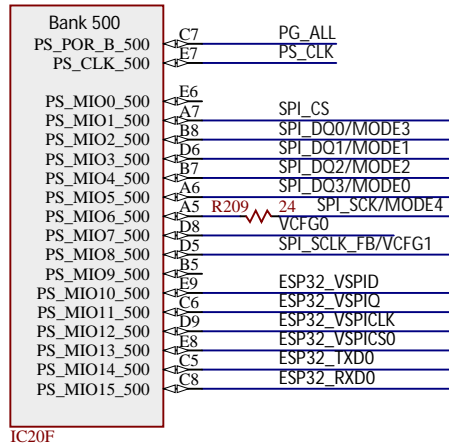
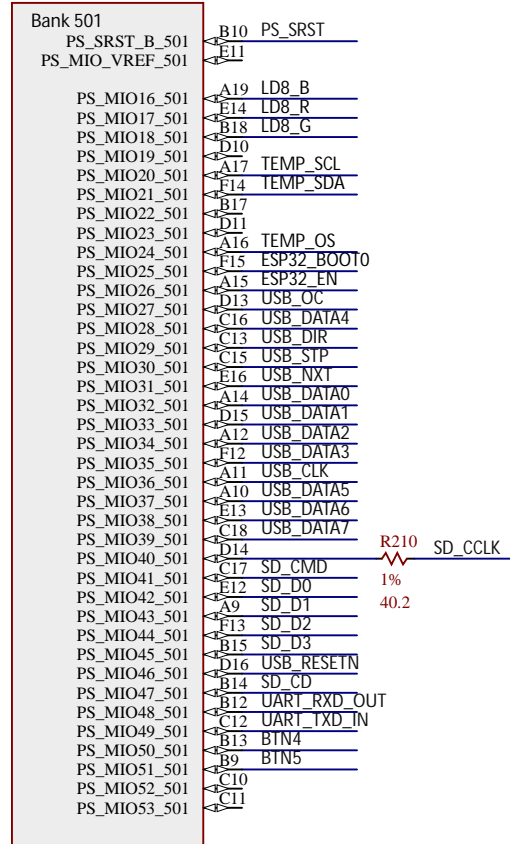


Title *BlackBoard*

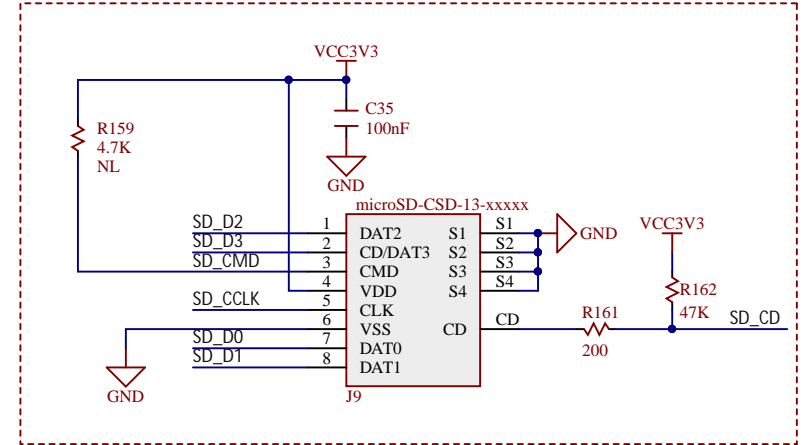
Description: Configuration, USB-JTAG/UART

Author: GTM	Number: 100000	Revision: B
Date: 23.01.2018	Time: 22:16:55	Page 2 of 12

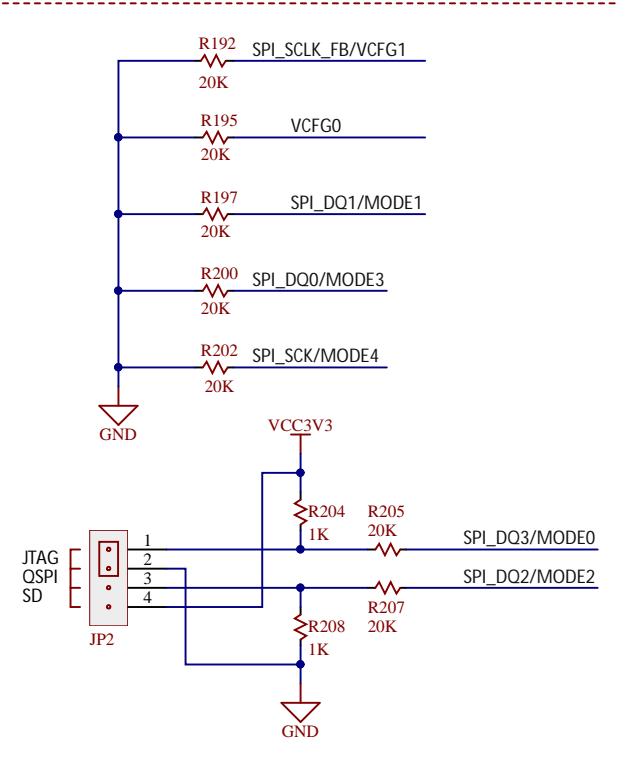




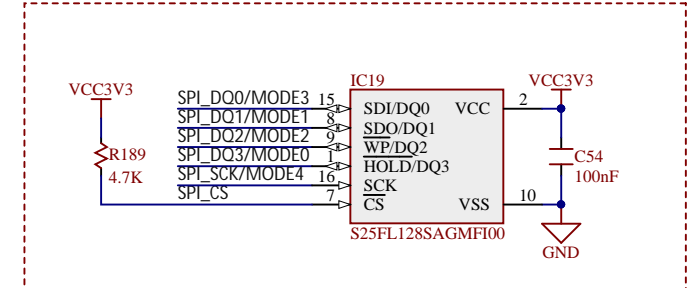
MICRO SD CARD



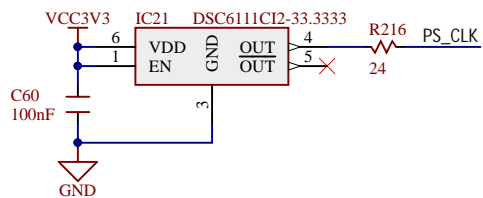
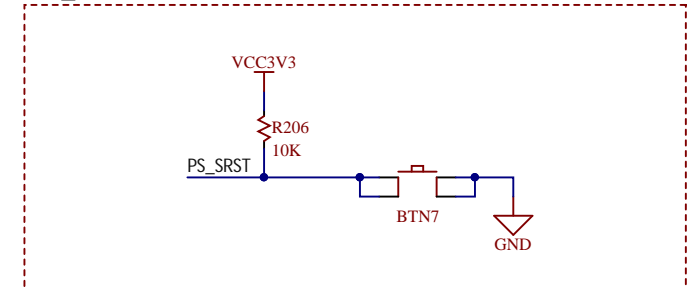
BOOT OPTIONS



QSPI FLASH



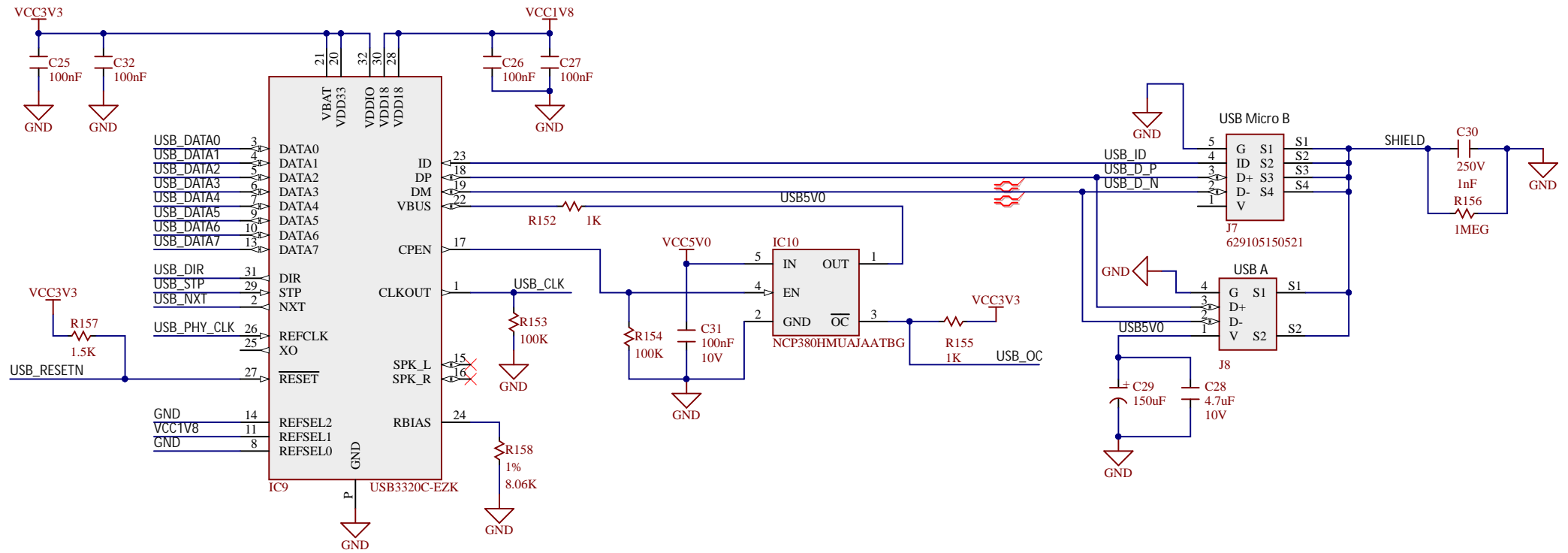
PS_SRST



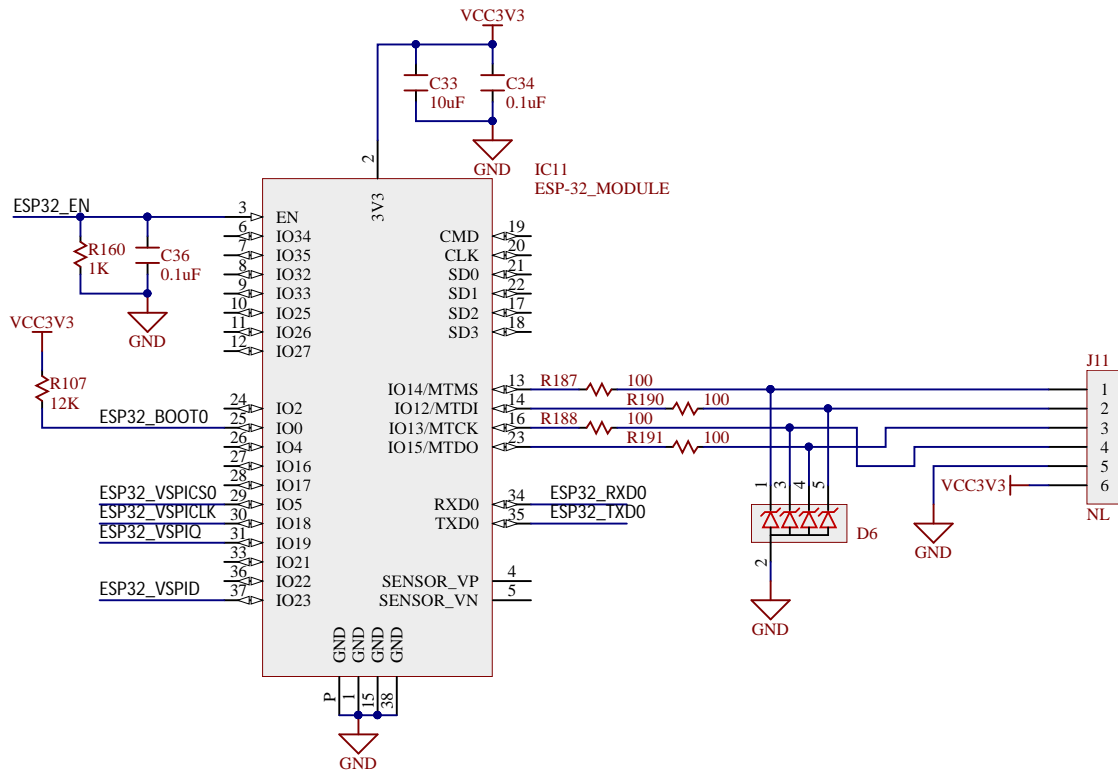
Title BlackBoard		
Description: Boot Devices, Boot Options		
Author: GTM	Number: 100000	Revision: B
Date: 23.01.2018	Time: 22:16:56	Page 3 of 12



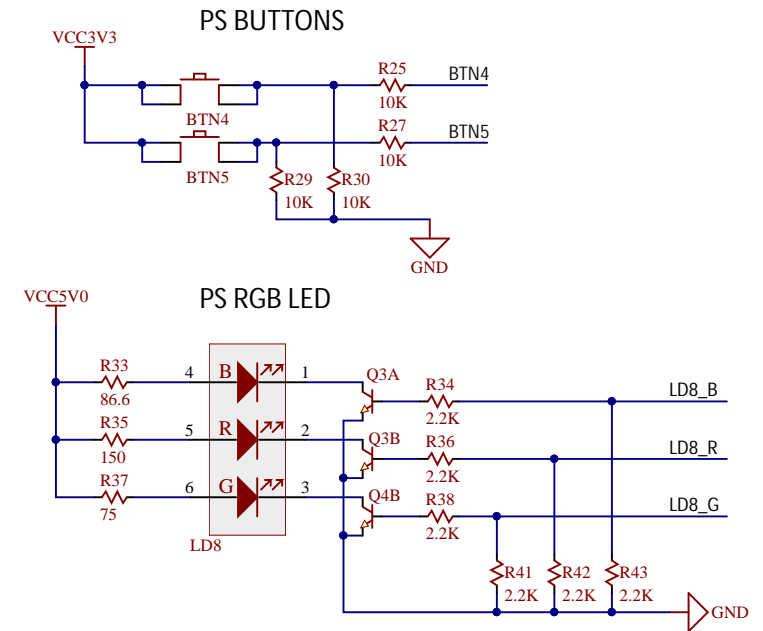
PS USB

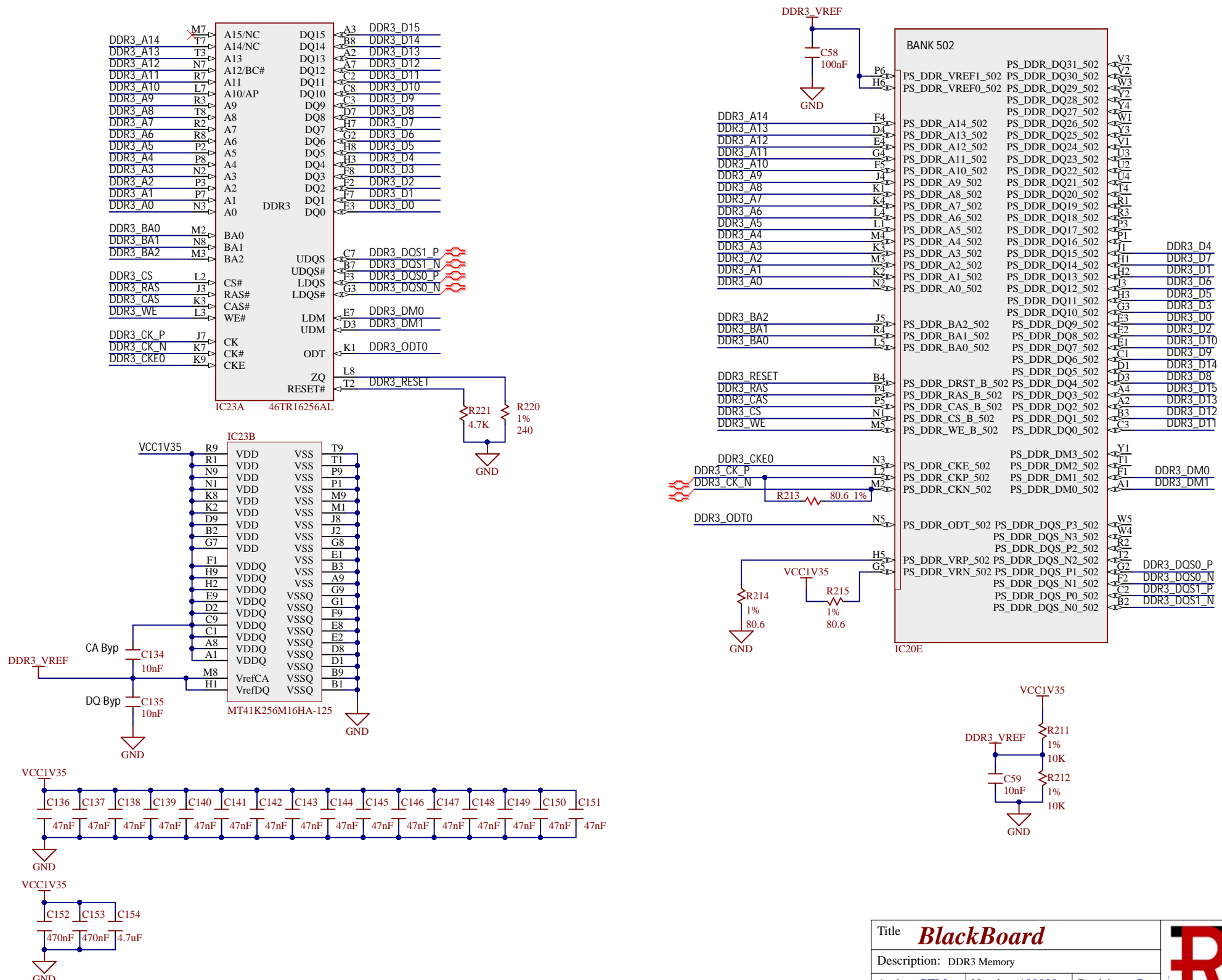


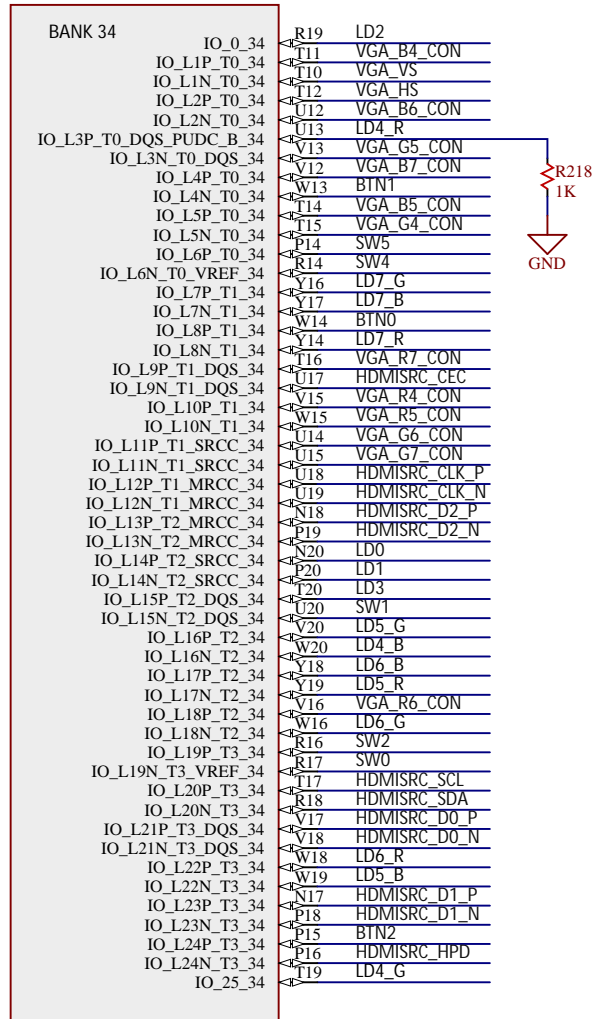
Wi-Fi/BLUETOOTH MODULE



PS BASIC IO

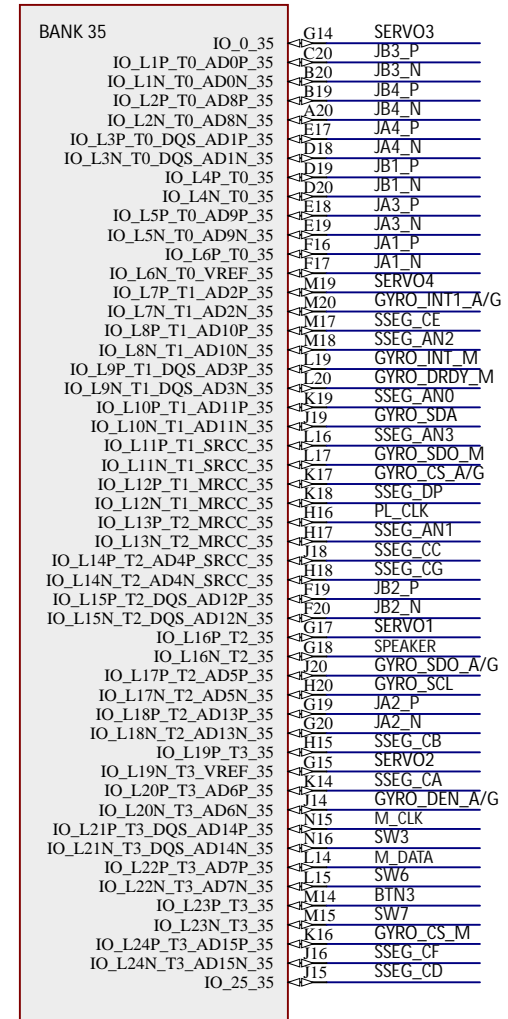






Bank34:

- HDMI
- VGA
- LED[0:4]
- RGB LED[0:4]
- BTN[0,1,2]
- SW[0,1,2,4,5]

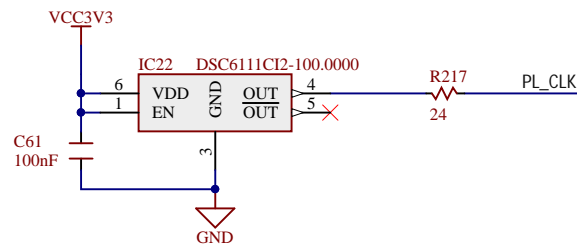


Bank35:

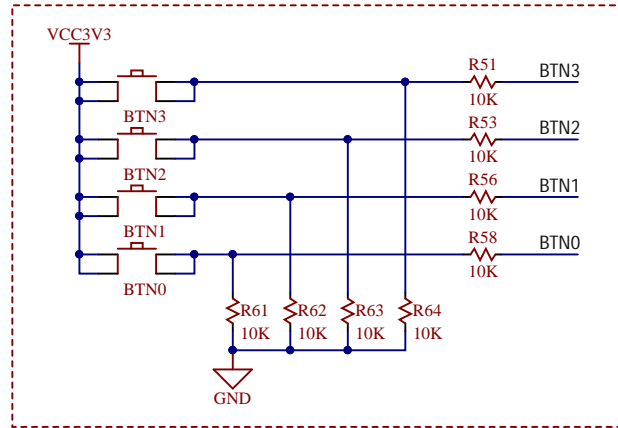
- PL_CLK
- PmodA
- PmodB
- Inertial Module
- Speaker
- PDM Microphone
- BTN[3]
- SW[3,6,7]
- 7 Segment Display
- Servo Motors Drive

IC20C

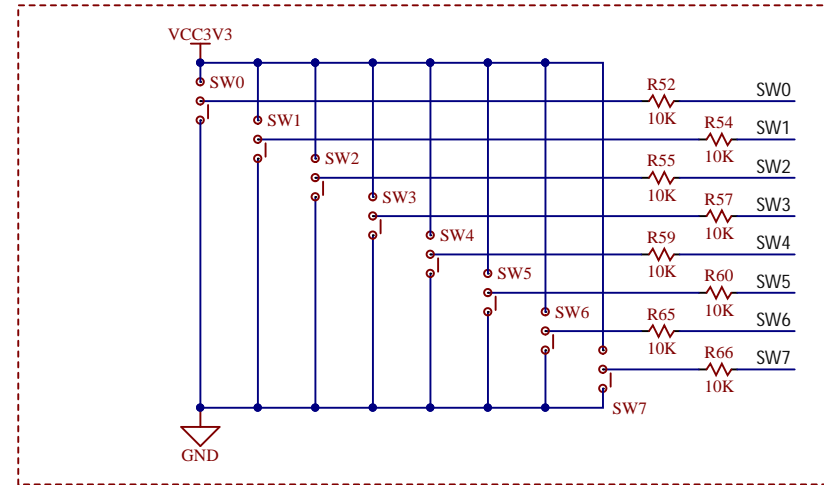
IC20D



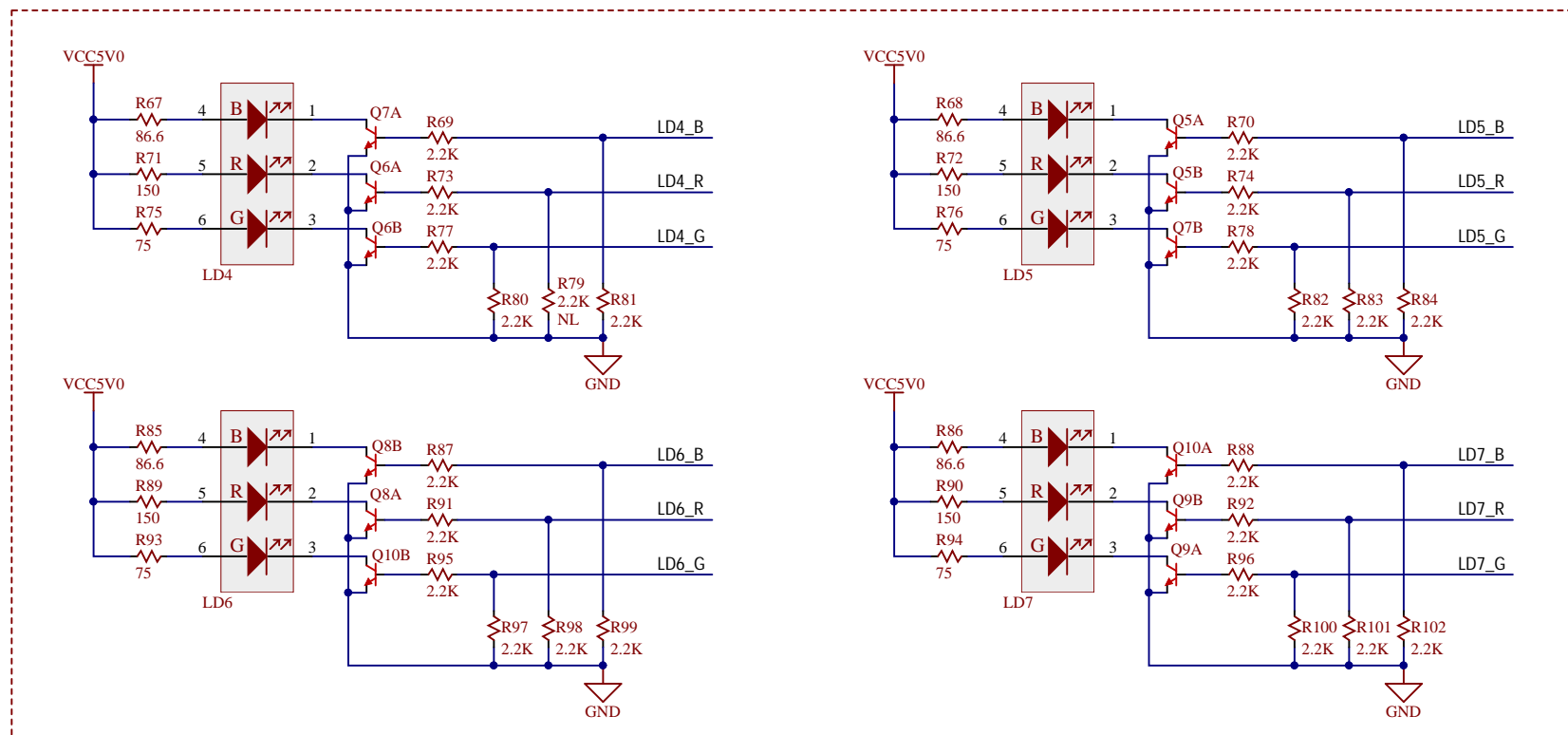
PL BUTTONS



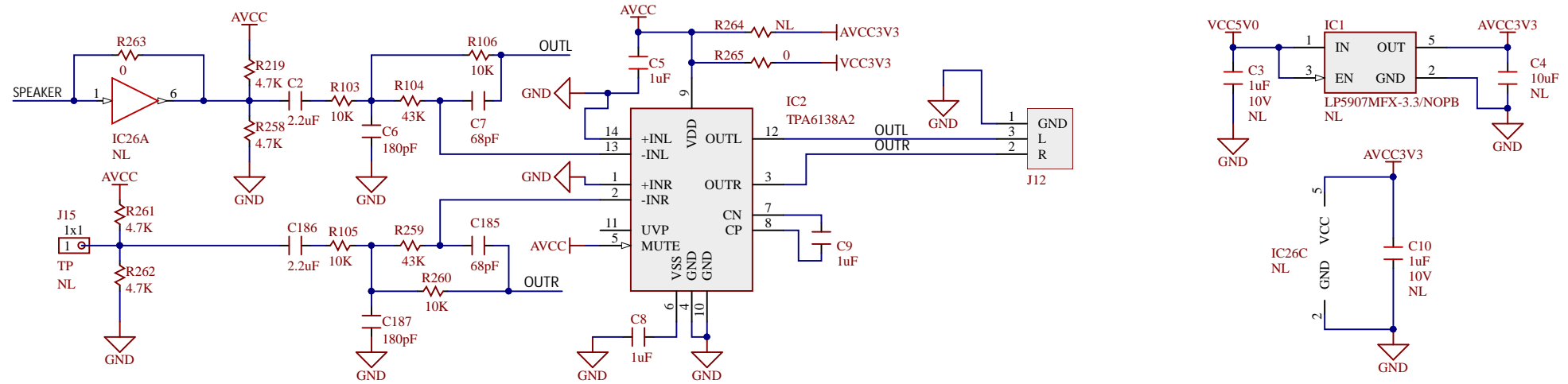
PL SWITCHES



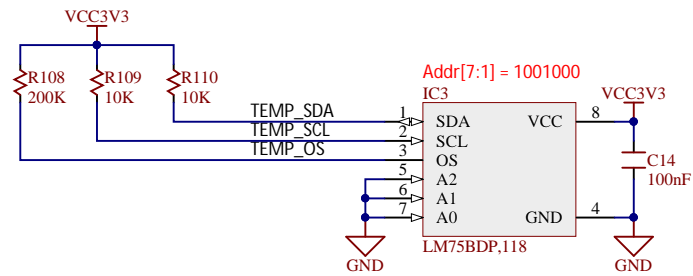
PL RGB LEDs



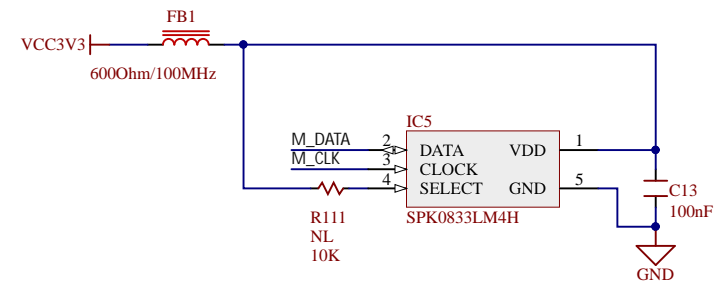
AUDIO



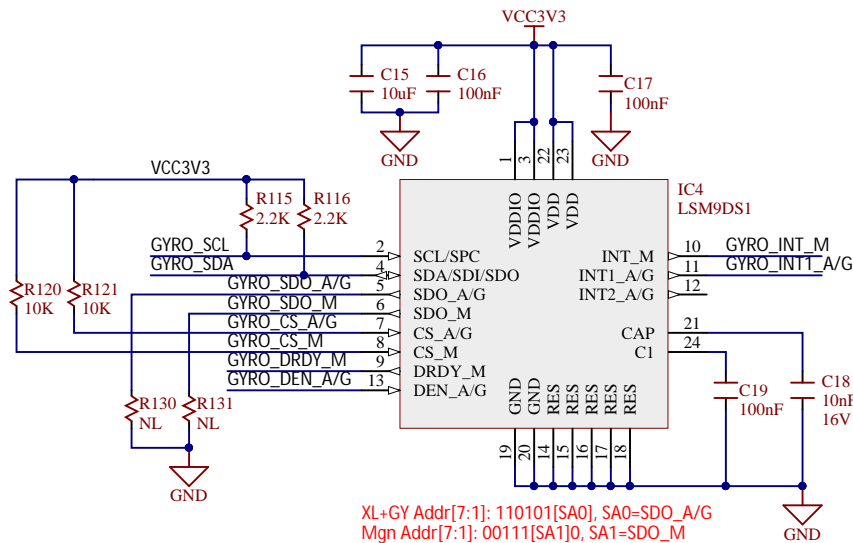
TEMPERATURE SENSOR



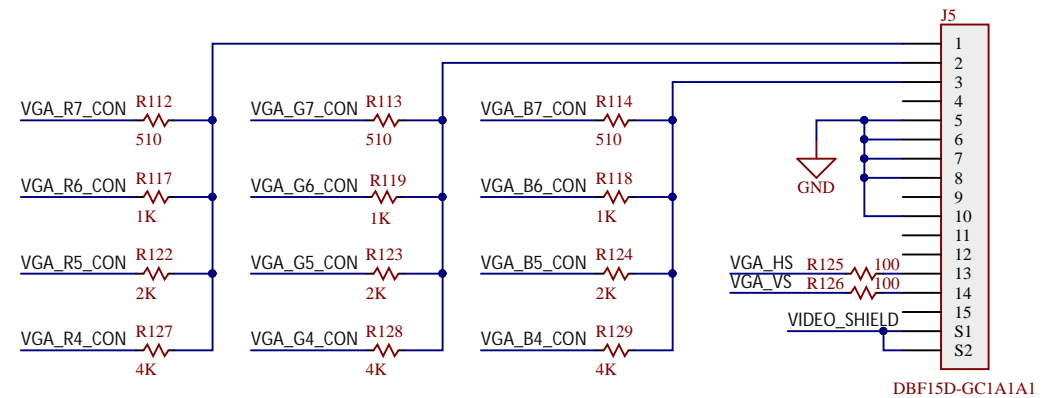
MICROPHONE



INERTIAL MODULE



VGA



Title **BlackBoard**

Description: PL Peripherals

Author: GTM

Number: 100000

Revision: B

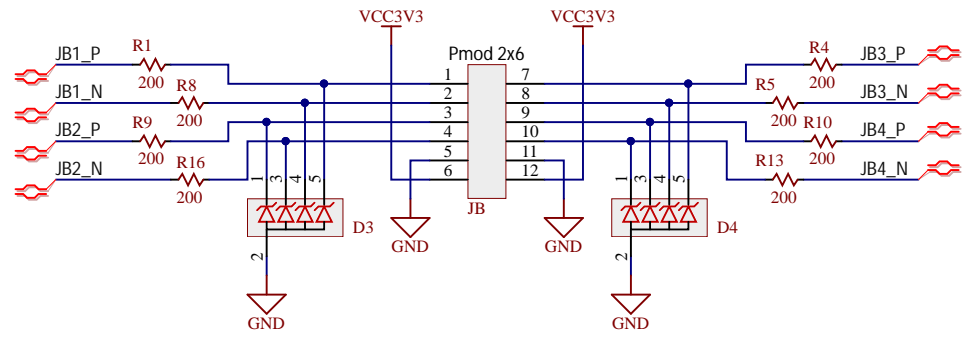
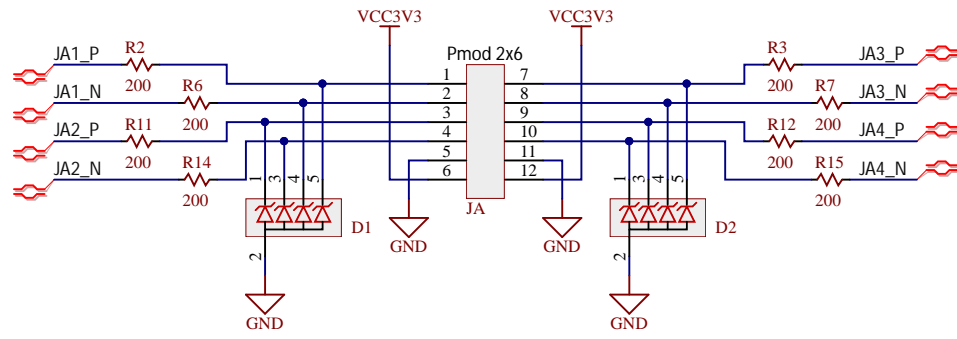
Date: 23.01.2018

Time: 22:16:57

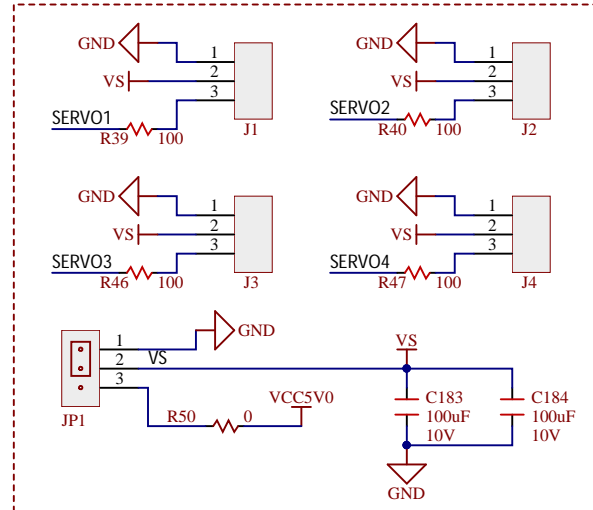
Page 8 of 12



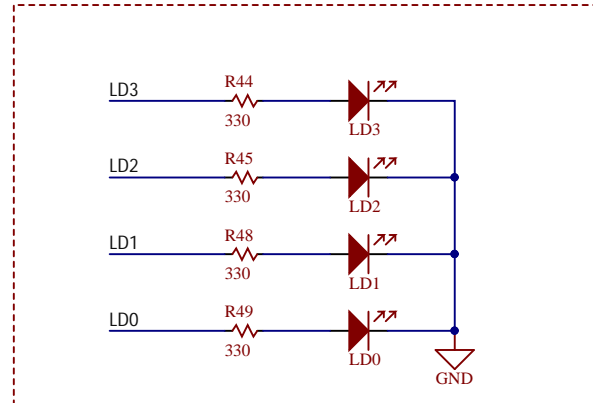
PMOD CONNECTORS



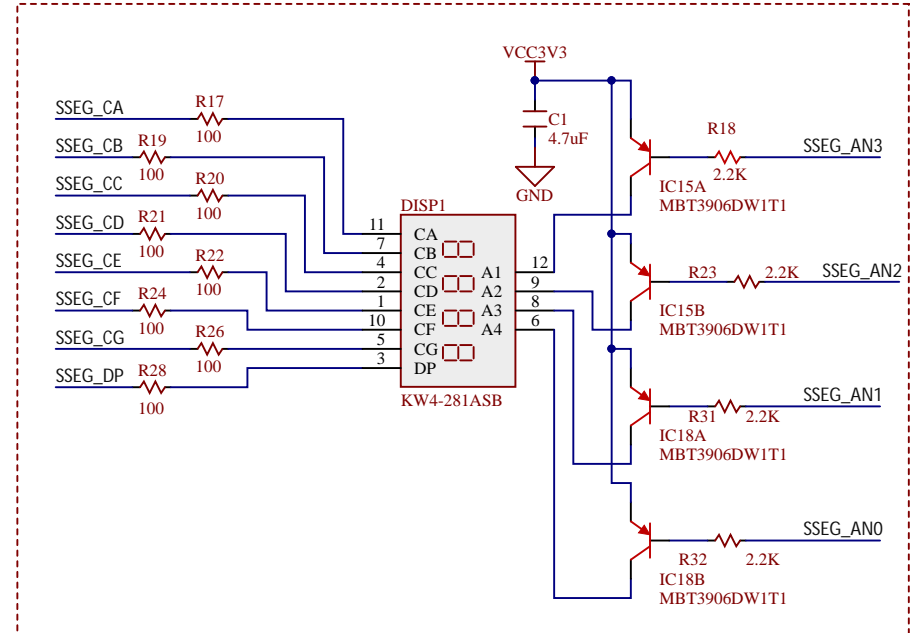
SERVO MOTOR CONNECTORS



PL LEADS

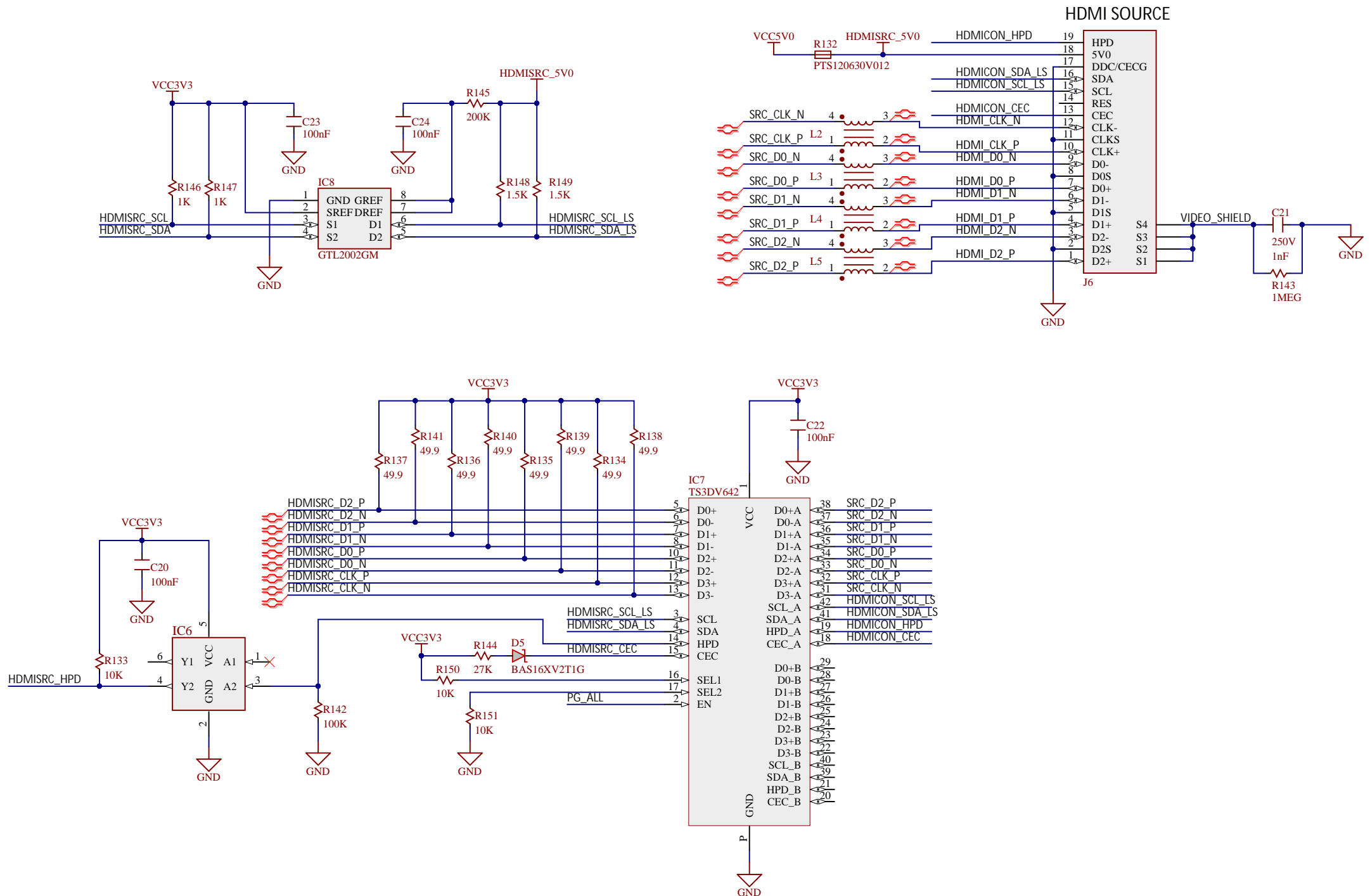


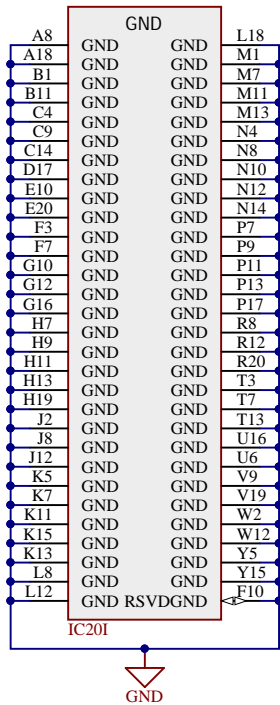
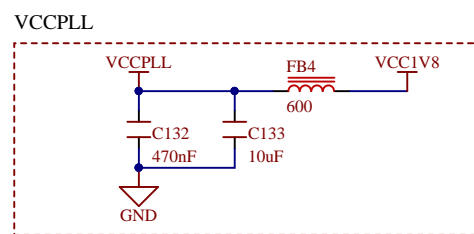
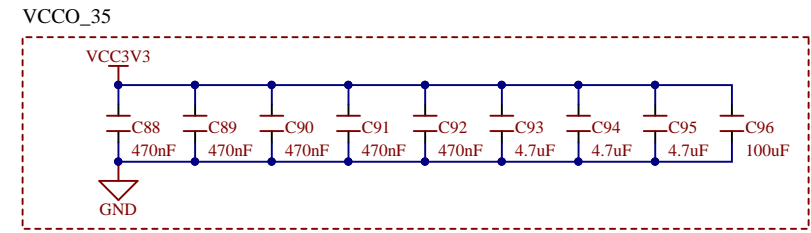
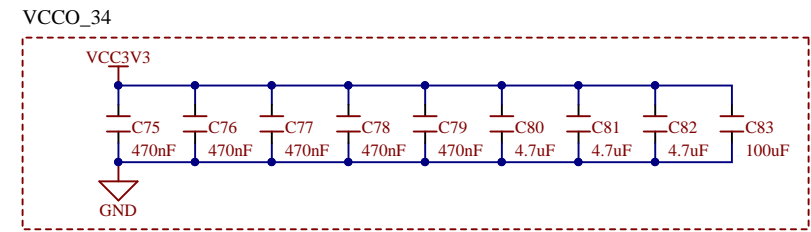
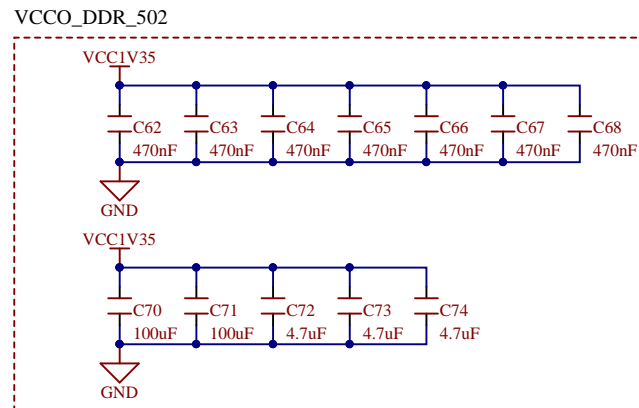
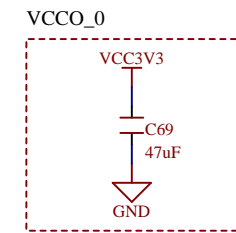
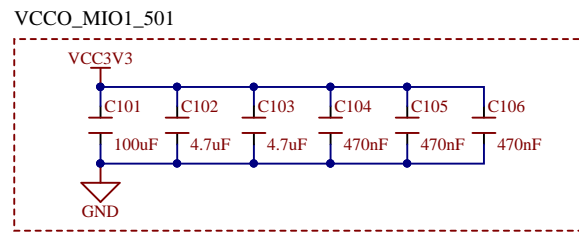
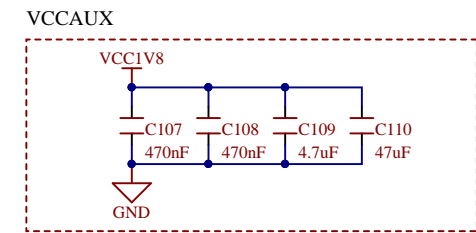
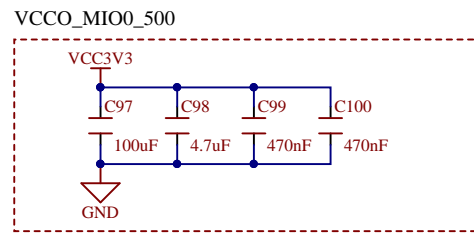
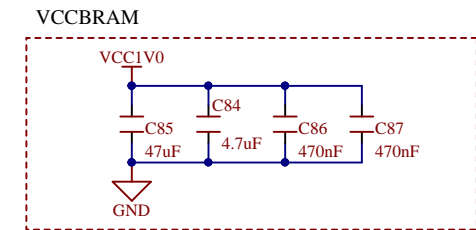
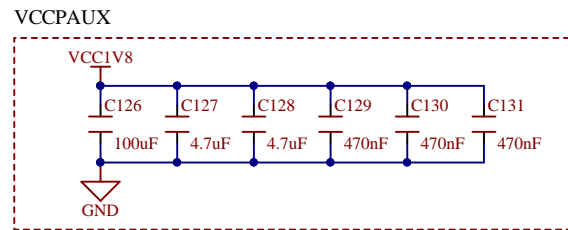
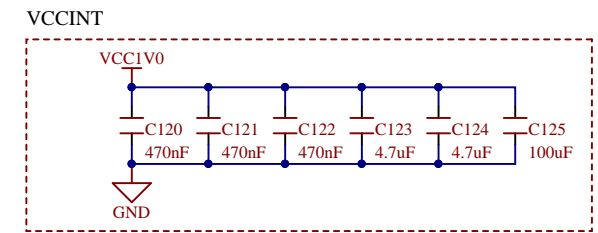
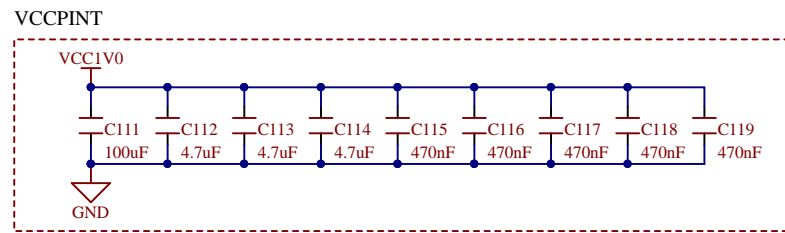
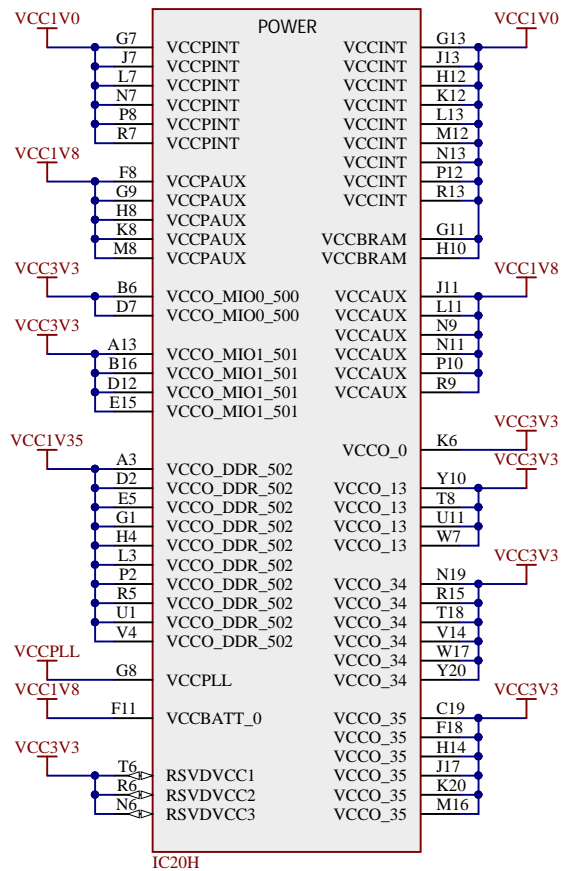
SSEG DISPLAY



Title BlackBoard		
Description: PL Peripherals		
Author: GTM	Number: 100000	Revision: B
Date: 23.01.2018	Time: 22:16:58	Page 9 of 12

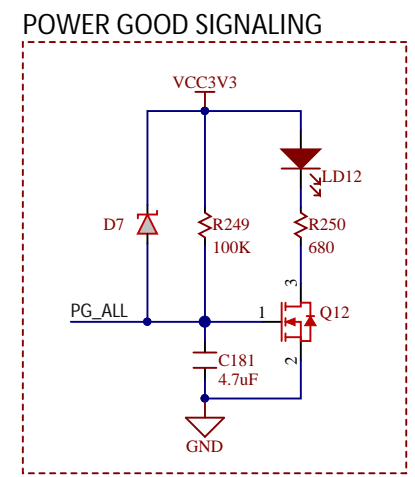
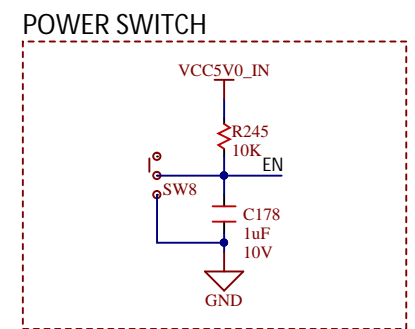
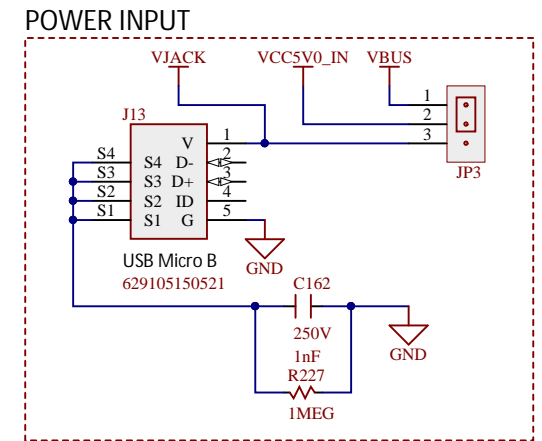
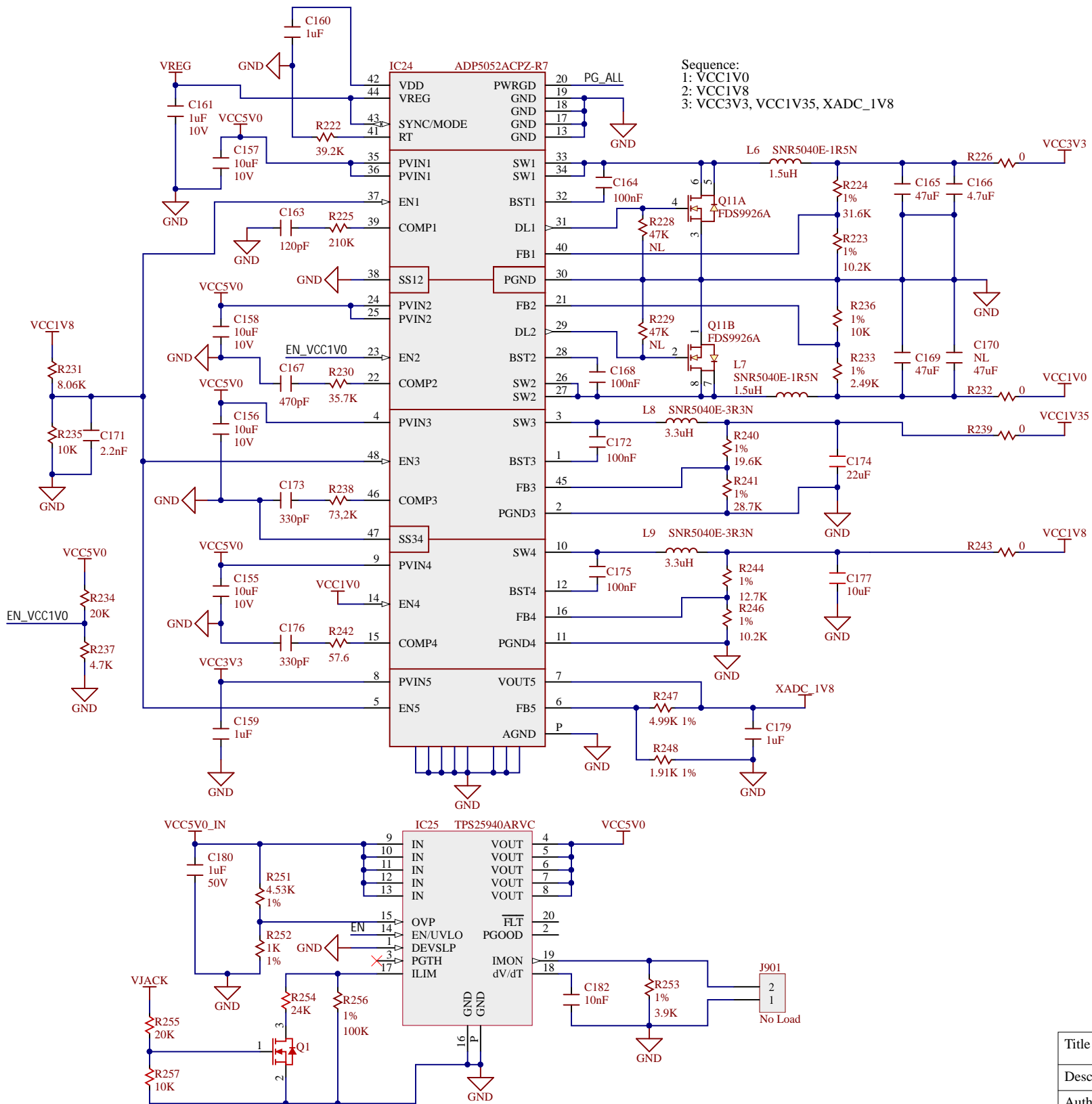






Title BlackBoard		
Description: ZYNQ Power		
Author: GTM	Number: 100000	Revision: B
Date: 23.01.2018	Time: 22:16:58	Page 11 of 12





Title BlackBoard			
Description: Power Regulation			
Author: GTM	Number: 100000		Revision: B
Date: 23.01.2018	Time: 22:16:59		Page 12 of 12